


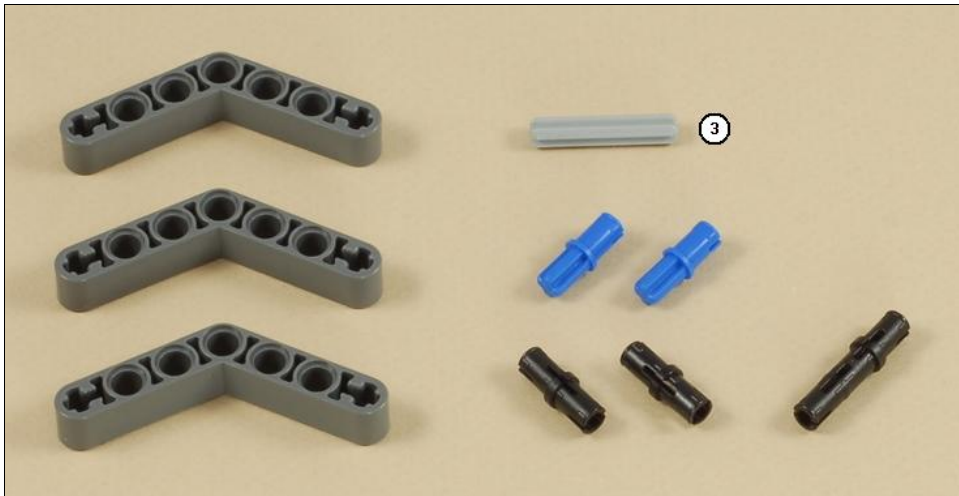
MTV Straight Wheels

Building: 

Designed for **NXT 1.0** (8527 or 9797+9648)

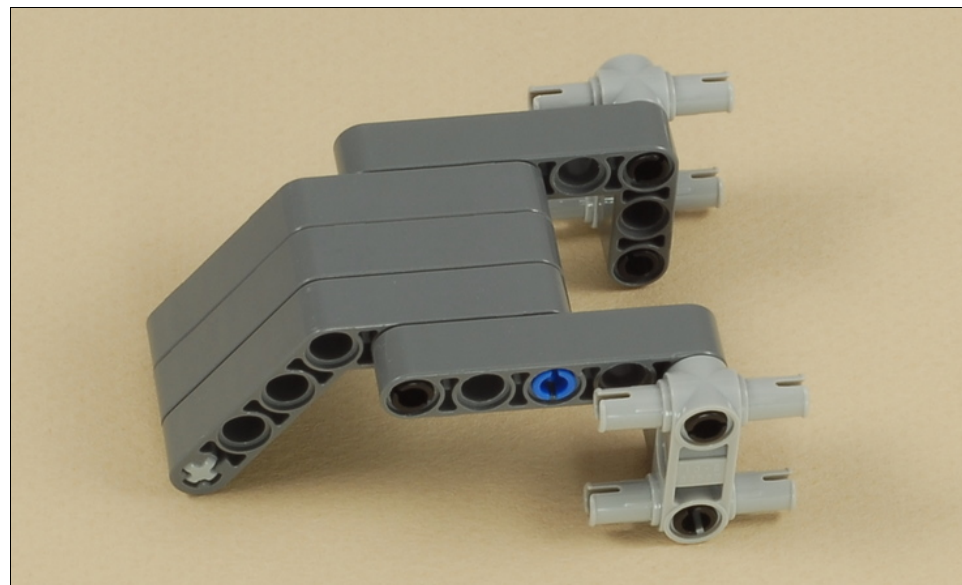
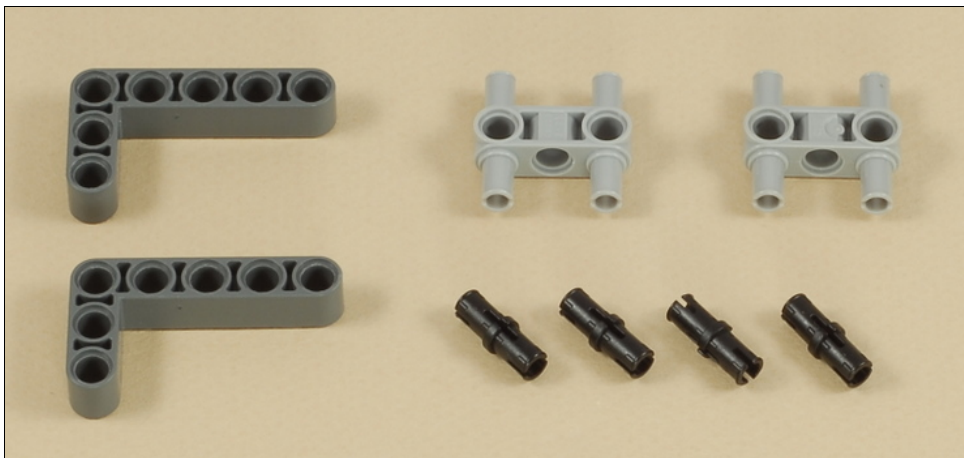
Building Instructions

1

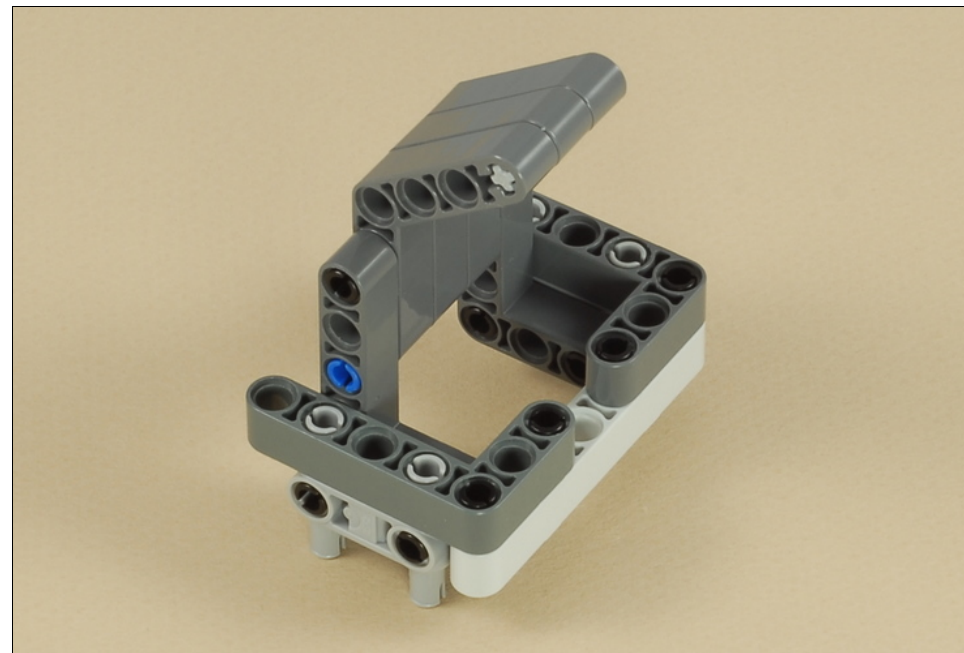
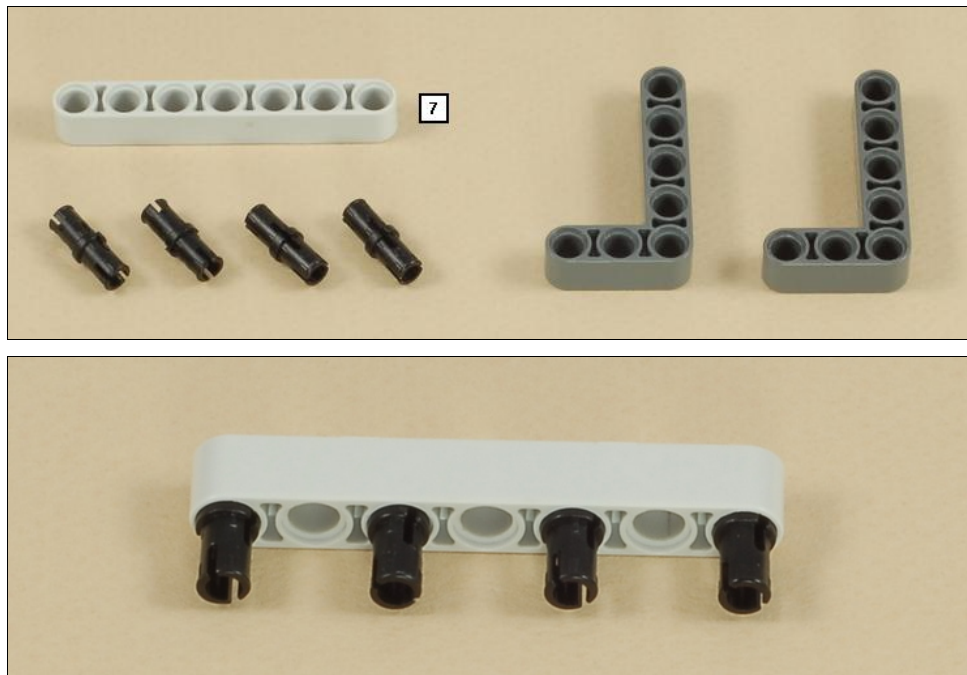




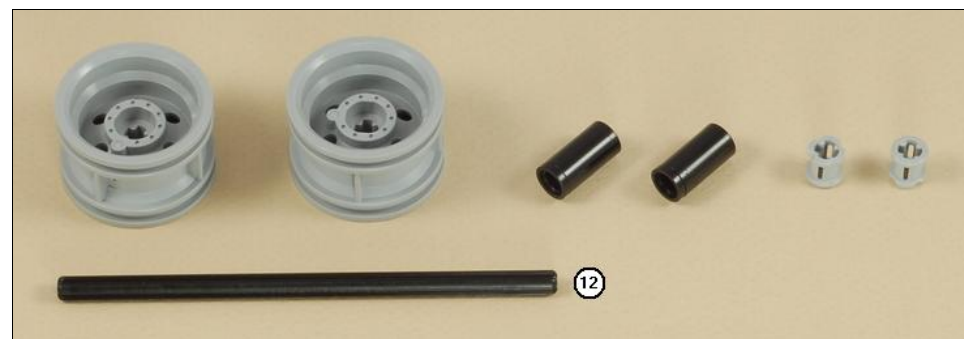
2

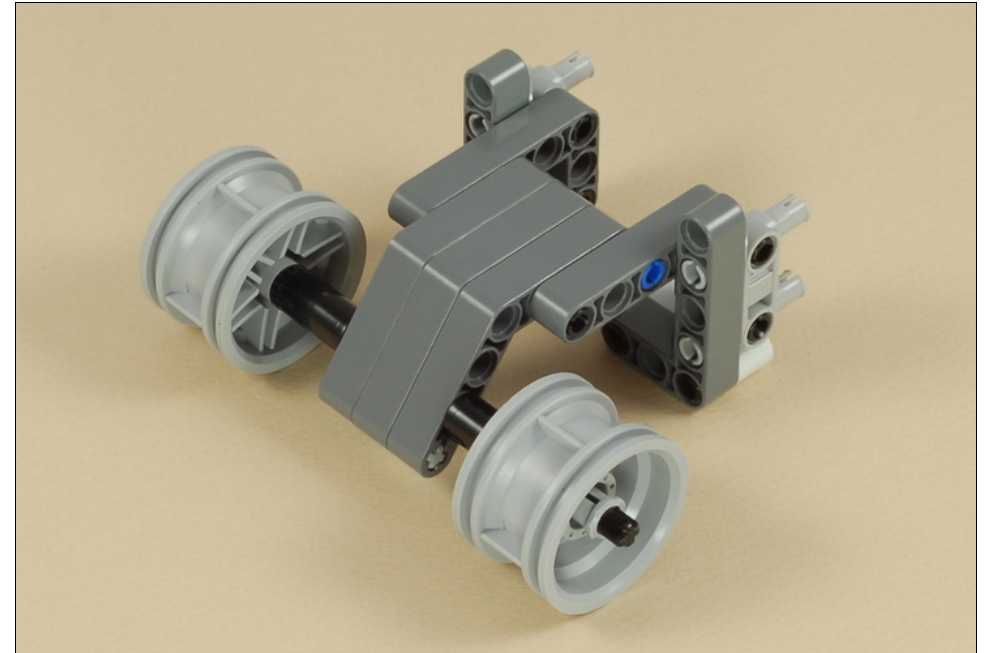
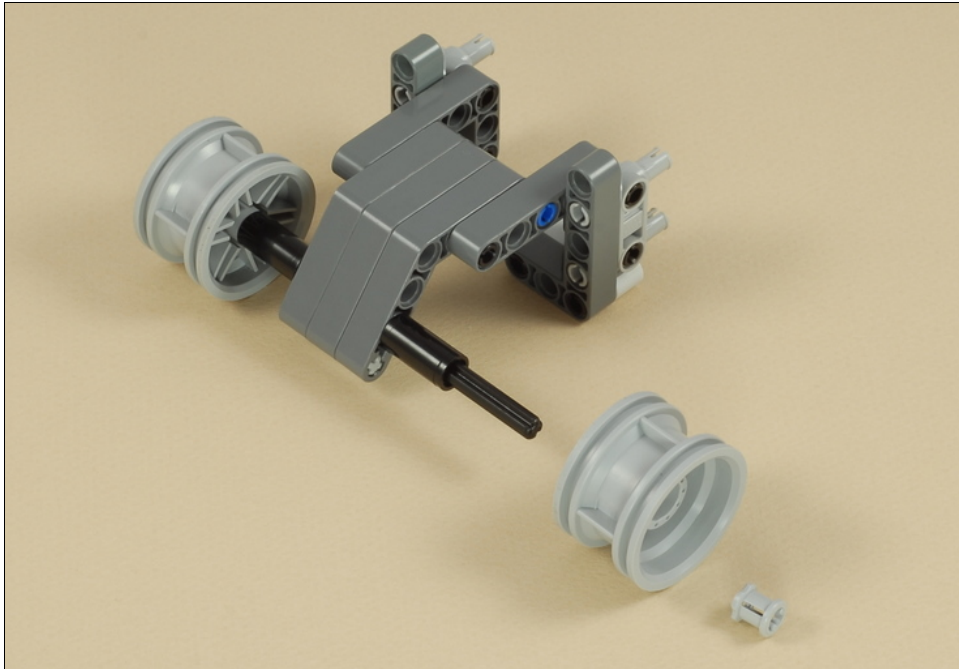


3



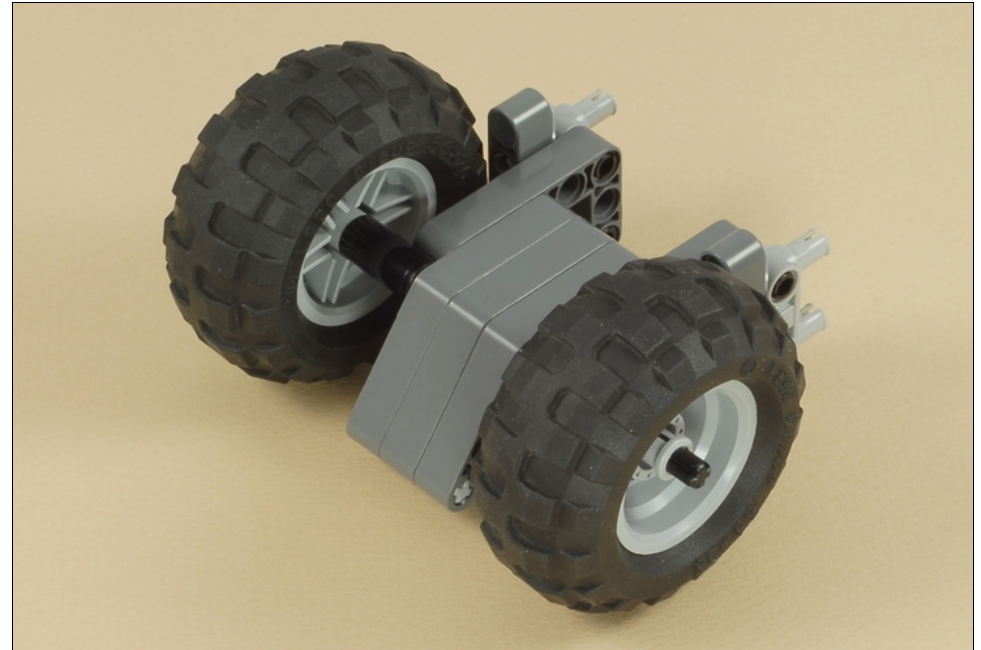
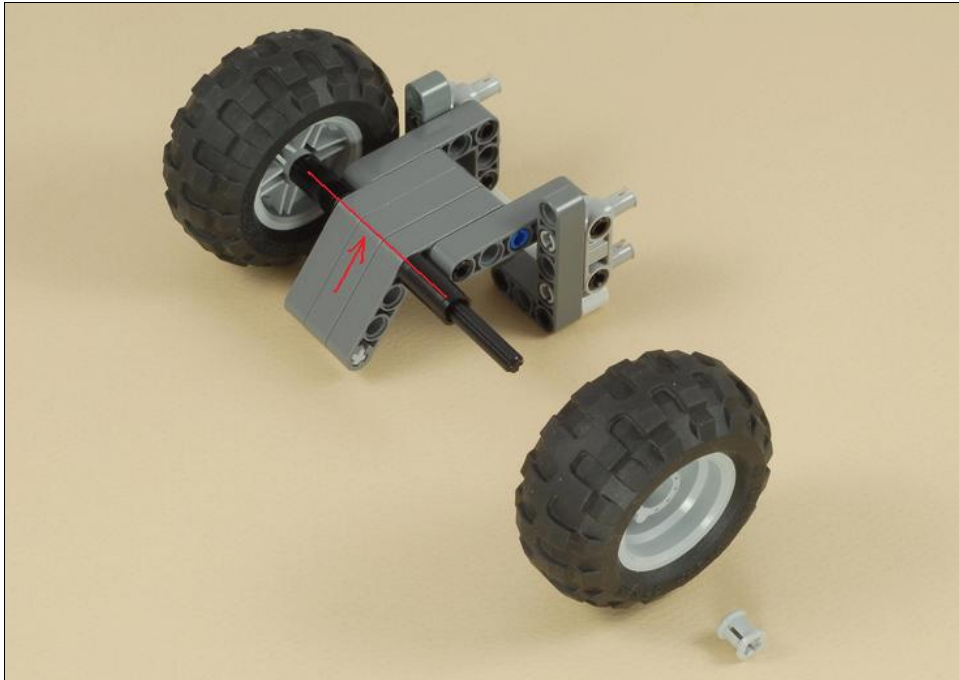
4





5 (for using tires only)

This step is only needed when using the rubber tires on the straight wheels. When using the tires, move the axle up two holes in the angled beam to adjust for the increased height of the wheels.



[Back to Instructions for MTV Modules](#)

[Home](#) [Projects](#) [Help](#) [Contacts](#)

Copyright © 2007-2009 by Dave Parker. All rights reserved.
All project designs, images, and programs are protected by copyright. Please see the [usage policy](#).